

Specification

Dual Test Cap

Features



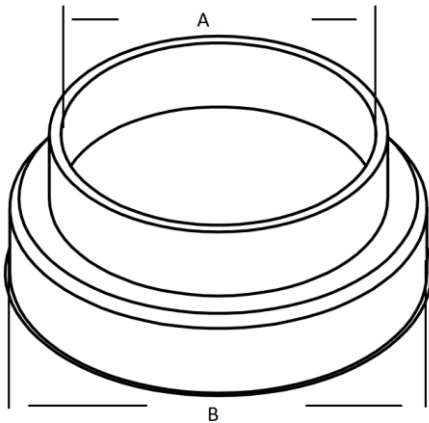
Dual Fit Knockout Test Cap

Solvent Weld into PVC Pipe

SCH. 40 DWV Pipe

White

Do not Stand in the Danger Zone while Test is in Progress.



Unit: inches

Model#	Description	A	B
TC-DUAL-2X112	1-1/2" X 2" Dual Test Cap	1.90	2.38
TC-DUAL-3X4	3" X 4" Dual Test Cap	3.50	4.50